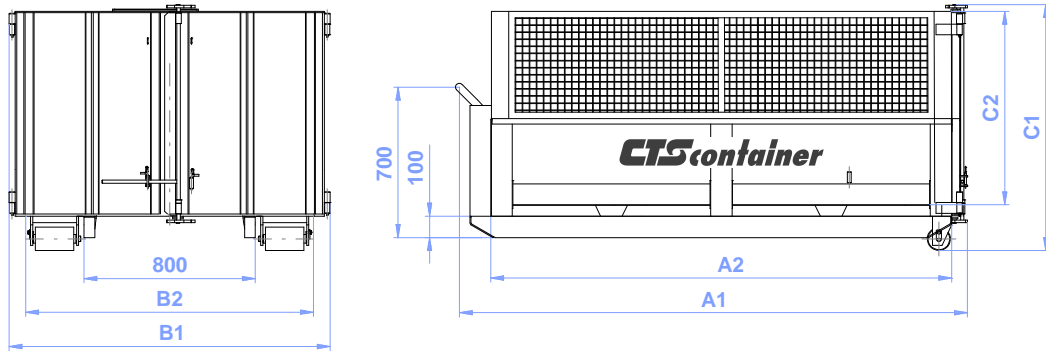


Type: IT1-24 KVOB x /150  
 | width  
 1 dump tailgate  
 2 twin rear door



Designed for handling and transport of soil, waste, constructional and loose material on truck or trailer mounted hook lifts.

It is manufactured of square sheet steels of 3 mm thickness (floor) and 2 mm (sides). Bottom half of sides (up to 400 mm height) is fixed. While the upper one is equipped with wire mesh (2 mm thickness and 30x30 mm spacing).

Robust container beams are made of "I 100" profile.

Rear panel designation as follows (the last digit in container type):

- 1 dump tailgate, flap, opened around the upper horizontal hinges, or
- 2 twin rear door, opened around the vertical hinges to sides, with lock in the open position.

**Accessories and adjustments for extra charge:** (has to be placed in order)

- cover or tarpaulin for container
- hooks for fastening the net or tarpaulin
- the colour design of surface treatment can be adopted to customer's requirement
- other, as per agreement

Basic technical data	IT1-24 KVOB x/150
Length A1 (A2)	2 380 (2 160) mm
Width B1 (B2)	1 500 (1 344) mm
Height C1 (C2)	1 145 (900) mm
Volume	2,60 m <sup>3</sup>
Weight of container	370 kg
Total weight	2 000 kg

**Hook lift type: Z**

*The manufacturer reserves the right for technical modifications.*