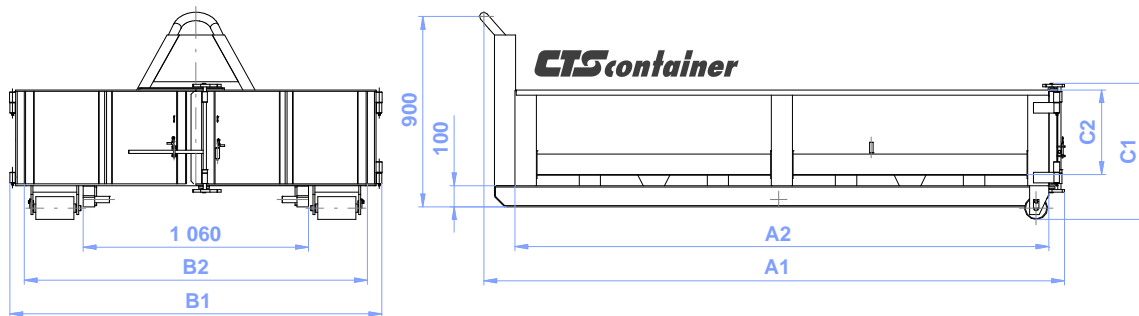


Type:	D3-25 KV	x.	x	/230
	D3-27 KV	x.	x	/230
	D3-30 KV	x.	x	/230
	D3-32 KV	x.	x	/230
	D3-35 KV	x.	x	/230
	D3-37 KV	x.	x	/230
	D3-40 KV	x.	x	/230
	D3-42 KV	x.	x	/230
	D3-45 KV	x.	x	/230
	D3-47 KV	x.	x	/230
	D3-50 KV	x.	x	/230
	D3-52 KV	x.	x	/230

width
rear panel
volume



Designed for handling and transport of soil, waste, constructional and loose material on truck or trailer mounted hook lifts.

It is manufactured of square sheet steels of 3 mm thickness (sides and floor up to 1 m of the container height) and 2 mm resp. (sides above 1 m) in various volumes. Robust container beams are made of '1 100' profile.

Rear panel designation as follows (the last digit in container type):

- **x1** one-piece, flap, opened around the upper horizontal hinges, or
- **x2** double-piece, opened around the vertical hinges to sides, with lock in the open position.

Accessories and adjustments for extra charge: (has to be placed in order)

- rear panel seal of with rubber section against fore shots
- hinged counters – e.g. for sorted waste collection
- universal hinge of rear panel (EUROCLIP), enabling tilting up and down and easy removal
- higher front and rear panel
- cover or tarpaulin for container
- hooks for fastening the net or tarpaulin
- binding bowl, embedded in the container floor
- floor stiffening or its reinforcement for travel of mechanization means
- the colour design of surface treatment can be adopted to customer's requirement
- safety lock of container loop
- other, as per agreement

Basic technical data	D3-25 KV 2.x/230	D3-25 KV 4.x/230	D3-25 KV 5.x/230	D3-25 KV 6.x/230	D3-25 KV 7.2/230
Length A1 (A2)	2 470 (2250) mm				
Width B1 (B2)	2 306 (2 150) mm	2 306 (2 150) mm	2 306 (2 150) mm	2 306 (2 150) mm	2 306 (2 150) mm
Height C1 (C2)	645 (400) mm	1 029 (785) mm	1 245 (1 000) mm	1 545 (1 300) mm	1 745 (1 500) mm
Volume	1,94 m ³	3,8 m ³	4,84 m ³	6,29 m ³	7,26 m ³
Distance locking pin L4	1 573 mm	1 573 mm	1 573 mm	1 573 mm	1 573 mm
Weight of container ±5%	371 kg	451 kg	503 kg	535 kg	585 kg
Total weight	8 000 kg	8 000 kg	8 000 kg	8 000 kg	8 000 kg

Basic technical data	D3-27 KV 2.x/230	D3-27 KV 4.x/230	D3-27 KV 5.x/230	D3-27 KV 7.x/230	D3-27 KV 8.2/230
Length A1 (A2)	2 720 (2500) mm				
Width B1 (B2)	2 306 (2 150) mm	2 306 (2 150) mm	2 306 (2 150) mm	2 306 (2 150) mm	2 306 (2 150) mm
Height C1 (C2)	645 (400) mm	1 029 (785) mm	1 245 (1 000) mm	1 545 (1 300) mm	1 745 (1 500) mm
Volume	2,15 m ³	4,22 m ³	5,38 m ³	6,99 m ³	8,06 m ³
Distance locking pin L4	1 635 mm	1 635 mm	1 635 mm	1 635 mm	1 635 mm
Weight of container ±5%	409 kg	496 kg	554 kg	589 kg	645 kg
Total weight	8 000 kg	8 000 kg	8 000 kg	8 000 kg	8 000 kg

Basic technical data	D3-30 KV 2.x/230	D3-30 KV 5.x/230	D3-30 KV 6.x/230	D3-30 KV 8.x/230	D3-30 KV 9.2/230
Length A1 (A2)	2 970 (2750) mm				
Width B1 (B2)	2 306 (2 150) mm	2 306 (2 150) mm	2 306 (2 150) mm	2 306 (2 150) mm	2 306 (2 150) mm
Height C1 (C2)	645 (400) mm	1 029 (785) mm	1 245 (1 000) mm	1 545 (1 300) mm	1 745 (1 500) mm
Volume	2,37 m ³	4,64 m ³	5,91 m ³	7,69 m ³	8,87 m ³
Distance locking pin L4	1 698 mm	1 698 mm	1 698 mm	1 698 mm	1 698 mm
Weight of container ±5%	446 kg	542 kg	605 kg	643 kg	704 kg
Total weight	8 000 kg	8 000 kg	8 000 kg	8 000 kg	8 000 kg

Basic technical data	D3-32 KV 3.x/230	D3-32 KV 5.x/230	D3-32 KV 8.x/230	D3-32 KV10.x/230	D3-32 KV 13.2/230
Length A1 (A2)	3 220 (3000) mm				
Width B1 (B2)	2 306 (2 150) mm	2 306 (2 150) mm	2 306 (2 150) mm	2 306 (2 150) mm	2 306 (2 150) mm
Height C1 (C2)	645 (400) mm	1 029 (785) mm	1 545 (1 300) mm	1 745 (1 500) mm	2 245 (2 000) mm
Volume	2,58 m ³	5,06 m ³	8,39 m ³	9,68 m ³	12,90 m ³
Distance locking pin L4	1 760 mm	1 760 mm	1 760 mm	1 760 mm	1 760 mm
Weight of container ±5%	484 kg	588 kg	656 kg	697 kg	763 kg
Total weight	8 000 kg	8 000 kg	8 000 kg	8 000 kg	8 000 kg

Basic technical data	D3-35 KV 3.x/230	D3-35 KV 5.x/230	D3-35 KV 9.x/230	D3-35 KV 10.x/230	D3-35 KV 14.2/230
Length A1 (A2)	3 470 (3 250) mm				
Width B1 (B2)	2 306 (2 150) mm	2 306 (2 150) mm	2 306 (2 150) mm	2 306 (2 150) mm	2 306 (2 150) mm
Height C1 (C2)	645 (400) mm	1 029 (785) mm	1 545 (1 300) mm	1 745 (1 500) mm	2 245 (2 000) mm
Volume	2,76 m ³	5,43 m ³	8,99 m ³	10,37 m ³	13,82 m ³
Distance locking pin L4	1 823 mm	1 823 mm	1 823 mm	1 823 mm	1 823 mm
Weight of container ±5%	516 kg	627 kg	700 kg	744 kg	814 kg
Total weight	8 000 kg	8 000 kg	8 000 kg	8 000 kg	8 000 kg

Basic technical data	D3-37 KV 3.x/230	D3-37 KV 6.x/230	D3-37 KV 10.x/230	D3-37 KV 12.x/230	D3-37 KV 16.2/230
Length A1 (A2)	3 720 (3 500) mm				
Width B1 (B2)	2 306 (2 150) mm	2 306 (2 150) mm	2 306 (2 150) mm	2 306 (2 150) mm	2 306 (2 150) mm
Height C1 (C2)	645 (400) mm	1 029 (785) mm	1 545 (1 300) mm	1 745 (1 500) mm	2 245 (2 000) mm
Volume	3,14 m ³	6,16 m ³	10,2 m ³	11,77 m ³	15,7 m ³
Distance locking pin L4	1 885 mm	1 885 mm	1 885 mm	1 885 mm	1 885 mm
Weight of container ±5%	556 kg	676 kg	750 kg	796 kg	975 kg
Total weight	8 000 kg	8 000 kg	8 000 kg	8 000 kg	8 000 kg

Basic technical data	D3-40 KV 3.x/230	D3-40 KV 6.x/230	D3-40 KV 10.x/230	D3-40 KV 12.x/230	D3-40 KV 16.2/230
Length A1 (A2)	3 970 (3 750) mm				
Width B1 (B2)	2 306 (2 150) mm	2 306 (2 150) mm	2 306 (2 150) mm	2 306 (2 150) mm	2 306 (2 150) mm
Height C1 (C2)	645 (400) mm	1 029 (785) mm	1 545 (1 300) mm	1 745 (1 500) mm	2 245 (2 000) mm
Volume	3,23 m ³	6,33 m ³	10,48 m ³	12,09 m ³	16,13 m ³
Distance locking pin L4	1 948 mm	1 948 mm	1 948 mm	1 948 mm	1 948 mm
Weight of container ±5%	570 kg	693 kg	769 kg	817 kg	1 000 kg
Total weight	8 000 kg	8 000 kg	8 000 kg	8 000 kg	8 000 kg

Basic technical data	D3-42 KV 3.x/230	D3-42 KV 7.x/230	D3-42 KV 11.x/230	D3-42 KV 13.x/230	D3-42 KV 17.2/230
Length A1 (A2)	4 220 (4 000) mm				
Width B1 (B2)	2 306 (2 150) mm	2 306 (2 150) mm	2 306 (2 150) mm	2 306 (2 150) mm	2 306 (2 150) mm
Height C1 (C2)	645 (400) mm	1 029 (785) mm	1 545 (1 300) mm	1 745 (1 500) mm	2 245 (2 000) mm
Volume	3,44 m ³	6,75 m ³	11,18 m ³	12,9 m ³	17,2 m ³
Distance locking pin L4	2 010 mm	2 010 mm	2 010 mm	2 010 mm	2 010 mm
Weight of container ±5%	588 kg	713 kg	789 kg	838 kg	1 025 kg
Total weight	8 000 kg	8 000 kg	8 000 kg	8 000 kg	8 000 kg

Basic technical data	D3-45 KV 4.x/230	D3-45 KV 7.x/230	D3-45 KV 12.x/230	D3-45 KV 14.x/230	D3-45 KV 18.2/230
Length A1 (A2)	4 470 (4 250) mm				
Width B1 (B2)	2 306 (2 150) mm	2 306 (2 150) mm	2 306 (2 150) mm	2 306 (2 150) mm	2 306 (2 150) mm
Height C1 (C2)	645 (400) mm	1 029 (785) mm	1 545 (1 300) mm	1 745 (1 500) mm	2 245 (2 000) mm
Volume	3,65 m ³	7,17 m ³	11,87 m ³	13,70 m ³	18,27 m ³
Distance locking pin L4	2 073 mm	2 073 mm	2 073 mm	2 073 mm	2 073 mm
Weight of container ±5%	701 kg	743 kg	818 kg	868 kg	1 059 kg
Total weight	8 000 kg	8 000 kg	8 000 kg	8 000 kg	8 000 kg

Basic technical data	D3-47 KV 4.x/230	D3-47 KV 8.x/230	D3-47 KV 13.x/230	D3-47 KV 15.x/230	D3-47 KV 19.2/230
Length A1 (A2)	4 720 (4 500) mm				
Width B1 (B2)	2 306 (2 150) mm	2 306 (2 150) mm	2 306 (2 150) mm	2 306 (2 150) mm	2 306 (2 150) mm
Height C1 (C2)	645 (400) mm	1 029 (785) mm	1 545 (1 300) mm	1 745 (1 500) mm	2 245 (2 000) mm
Volume	3,87 m ³	7,59 m ³	12,57 m ³	14,51 m ³	19,35 m ³
Distance locking pin L4	2 135 mm	2 135 mm	2 135 mm	2 135 mm	2 135 mm
Weight of container ±5%	644 kg	785 kg	884 kg	938 kg	1 139 kg
Total weight	8 000 kg	8 000 kg	8 000 kg	8 000 kg	8 000 kg

Basic technical data	D3-50 KV 4.x/230	D3-50 KV 8.x/230	D3-50 KV 13.x/230	D3-50 KV 15.x/230	D3-50 KV 20.2/230
Length A1 (A2)	4 970 (4 750) mm				
Width B1 (B2)	2 306 (2 150) mm	2 306 (2 150) mm	2 306 (2 150) mm	2 306 (2 150) mm	2 306 (2 150) mm
Height C1 (C2)	645 (400) mm	1 029 (785) mm	1 545 (1 300) mm	1 745 (1 500) mm	2 245 (2 000) mm
Volume	4,08 m ³	8,01 m ³	13,27 m ³	15,31 m ³	20,42 m ³
Distance locking pin L4	2 260 mm	2 260 mm	2 260 mm	2 260 mm	2 260 mm
Weight of container ±5%	667 kg	812 kg	912 kg	967 kg	1 155 kg
Total weight	8 000 kg	8 000 kg	8 000 kg	8 000 kg	8 000 kg

Basic technical data	D3-52 KV 4.x/230	D3-52 KV 8.x/230	D3-52 KV 14.x/230	D3-52 KV 16.x/230	D3-52 KV 21.2/230
Length A1 (A2)	5 220 (5 000) mm				
Width B1 (B2)	2 306 (2 150) mm	2 306 (2 150) mm	2 306 (2 150) mm	2 306 (2 150) mm	2 306 (2 150) mm
Height C1 (C2)	645 (400) mm	1 029 (785) mm	1 545 (1 300) mm	1 745 (1 500) mm	2 245 (2 000) mm
Volume	4,30 m ³	8,43 m ³	13,97 m ³	16,12 m ³	21,5 m ³
Distance locking pin L4	2 385 mm	2 385 mm	2 385 mm	2 385 mm	2 385 mm
Weight of container ±5%	689 kg	840 kg	941 kg	997 kg	1 208 kg
Total weight	8 000 kg	8 000 kg	8 000 kg	8 000 kg	8 000 kg

Hook lift type: **Z**

The manufacturer reserves the right for technical modifications.