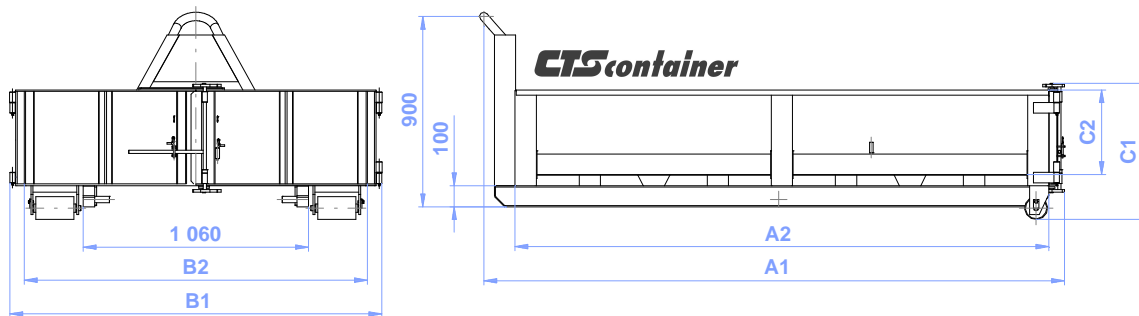


Type:	D3-25 KV	x.	x	/207
	D3-27 KV	x.	x	/207
	D3-30 KV	x.	x	/207
	D3-32 KV	x.	x	/207
	D3-35 KV	x.	x	/207
	D3-37 KV	x.	x	/207
	D3-40 KV	x.	x	/207
	D3-42 KV	x.	x	/207
	D3-45 KV	x.	x	/207
	D3-47 KV	x.	x	/207
	D3-50 KV	x.	x	/207
	D3-52 KV	x.	x	/207

width  
rear panel  
volume



Designed for handling and transport of soil, waste, constructional and loose material on truck or trailer mounted hook lifts.

It is manufactured of square sheet steels of 3 mm thickness (sides and floor up to 1 m of the container height) and 2 mm resp. (sides above 1 m) in various volumes. Robust container beams are made of "1 100" profile.

Rear panel designation as follows (the last digit in container type):

- **x1** one-piece, flap, opened around the upper horizontal hinges, or
- **x2** double-piece, opened around the vertical hinges to sides, with lock in the open position.

**Accessories and adjustments for extra charge:** (has to be placed in order)

- rear panel seal of with rubber section against fore shots
- hinged counters – e.g. for sorted waste collection
- universal hinge of rear panel (EUROCLIP), enabling tilting up and down and easy removal
- higher front and rear panel
- cover or tarpaulin for container
- hooks for fastening the net or tarpaulin
- binding bowl, embedded in the container floor
- floor stiffening or its reinforcement for travel of mechanization means
- the colour design of surface treatment can be adopted to customer's requirement
- safety lock of container loop
- other, as per agreement

Basic technical data	D3-25 KV 2.x/135	D3-25 KV 2.x/207	D3-25 KV 3.x/207	D3-25 KV 4.x/207	D3-25 KV 6.x/207	D3-25 KV 7.2/207
Length A1 (A2)	2 470 (2250) mm					
Width B1 (B2)	1 356 (1 200) mm	2 076 (1 920) mm	2 076 (1 920) mm	2 076 (1 920) mm	2 076 (1 920) mm	2 076 (1 920) mm
Height C1 (C2)	1 029 (785) mm	645 (400) mm	1 029 (785) mm	1 245 (1 000) mm	1 545 (1 300) mm	1 745 (1 500) mm
Volume	2,12 m <sup>3</sup>	1,73 m <sup>3</sup>	3,39 m <sup>3</sup>	4,32 m <sup>3</sup>	5,62 m <sup>3</sup>	6,48 m <sup>3</sup>
Distance locking pin L4	1 573 mm	1 573 mm	1 573 mm	1 573 mm	1 573 mm	1 573 mm
Weight of container ±5%	350 kg	348 kg	426 kg	449 kg	473 kg	506 kg
Total weight	8 000 kg	8 000 kg	8 000 kg	8 000 kg	8 000 kg	8 000 kg

Basic technical data	D3-27 KV 2.x/135	D3-27 KV 2.x/207	D3-27 KV 4.x/207	D3-27 KV 5.x/207	D3-27 KV 6.x/207	D3-27 KV 7.2/207
Length A1 (A2)	2 720 (2500) mm					
Width B1 (B2)	1 356 (1 200) mm	2 076 (1 920) mm	2 076 (1 920) mm	2 076 (1 920) mm	2 076 (1 920) mm	2 076 (1 920) mm
Height C1 (C2)	1 029 (785) mm	645 (400) mm	1 029 (785) mm	1 245 (1 000) mm	1 545 (1 300) mm	1 745 (1 500) mm
Volume	2,36 m <sup>3</sup>	1,92 m <sup>3</sup>	3,77 m <sup>3</sup>	4,8 m <sup>3</sup>	6,24 m <sup>3</sup>	7,20 m <sup>3</sup>
Distance locking pin L4	1 635 mm	1 635 mm	1 635 mm	1 635 mm	1 635 mm	1 635 mm
Weight of container ±5%	386 kg	383 kg	469 kg	495 kg	521 kg	557 kg
Total weight	8 000 kg	8 000 kg	8 000 kg	8 000 kg	8 000 kg	8 000 kg

Basic technical data	D3-30 KV 3.x/135	D3-30 KV 2.x/207	D3-30 KV 4.x/207	D3-30 KV 5.x/207	D3-30 KV 7.x/207	D3-30 KV 8.2/207
Length A1 (A2)	2 970 (2750) mm					
Width B1 (B2)	1 356 (1 200) mm	2 076 (1 920) mm	2 076 (1 920) mm	2 076 (1 920) mm	2 076 (1 920) mm	2 076 (1 920) mm
Height C1 (C2)	1 029 (785) mm	645 (400) mm	1 029 (785) mm	1 245 (1 000) mm	1 545 (1 300) mm	1 745 (1 500) mm
Volume	2,59 m <sup>3</sup>	2,11 m <sup>3</sup>	4,14 m <sup>3</sup>	5,28 m <sup>3</sup>	6,86 m <sup>3</sup>	7,92 m <sup>3</sup>
Distance locking pin L4	1 698 mm	1 698 mm	1 698 mm	1 698 mm	1 698 mm	1 698 mm
Weight of container ±5%	421 kg	418 kg	512 kg	540 kg	569 kg	608 kg
Total weight	8 000 kg	8 000 kg	8 000 kg	8 000 kg	8 000 kg	8 000 kg

Basic technical data	D3-32 KV 3.x/135	D3-32 KV 2.x/207	D3-32 KV 5.x/207	D3-32 KV 7.x/207	D3-32 KV 9.x/207	D3-32 KV 12.2/207
Length A1 (A2)	3 220 (3000) mm					
Width B1 (B2)	1 356 (1 200) mm	2 076 (1 920) mm	2 076 (1 920) mm	2 076 (1 920) mm	2 076 (1 920) mm	2 076 (1 920) mm
Height C1 (C2)	1 029 (785) mm	645 (400) mm	1 029 (785) mm	1 545 (1 300) mm	1 745 (1 500) mm	2 245 (2 000) mm
Volume	2,83 m <sup>3</sup>	2,3 m <sup>3</sup>	4,52 m <sup>3</sup>	7,49 m <sup>3</sup>	8,64 m <sup>3</sup>	11,52 m <sup>3</sup>
Distance locking pin L4	1 760 mm	1 760 mm	1 760 mm	1 760 mm	1 760 mm	1 760 mm
Weight of container ±5%	456 kg	453 kg	555 kg	617 kg	659 kg	812 kg
Total weight	8 000 kg	8 000 kg	8 000 kg	8 000 kg	8 000 kg	8 000 kg

Basic technical data	D3-35 KV 3.x/135	D3-35 KV 2.x/207	D3-35 KV 5.x/207	D3-35 KV 8.x/207	D3-35 KV 9.x/207	D3-35 KV 12.2/207
Length A1 (A2)	3 470 (3 250) mm					
Width B1 (B2)	1 356 (1 200) mm	2 076 (1 920) mm	2 076 (1 920) mm	2 076 (1 920) mm	2 076 (1 920) mm	2 076 (1 920) mm
Height C1 (C2)	1 029 (785) mm	645 (400) mm	1 029 (785) mm	1 545 (1 300) mm	1 745 (1 500) mm	2 245 (2 000) mm
Volume	3,03 m <sup>3</sup>	2,45 m <sup>3</sup>	4,84 m <sup>3</sup>	8,02 m <sup>3</sup>	9,25 m <sup>3</sup>	12,34 m <sup>3</sup>
Distance locking pin L4	1 823 mm	1 823 mm	1 823 mm	1 823 mm	1 823 mm	1 823 mm
Weight of container ±5%	487 kg	484 kg	592 kg	658 kg	703 kg	852 kg
Total weight	8 000 kg	8 000 kg	8 000 kg	8 000 kg	8 000 kg	8 000 kg

Basic technical data	D3-37 KV 3.x/135	D3-37 KV 3.x/207	D3-37 KV 6.x/207	D3-37 KV 9.x/207	D3-37 KV 11.x/207	D3-37 KV 14.2/207
Length A1 (A2)	3 720 (3 500) mm					
Width B1 (B2)	1 356 (1 200) mm	2 076 (1 920) mm	2 076 (1 920) mm	2 076 (1 920) mm	2 076 (1 920) mm	2 076 (1 920) mm
Height C1 (C2)	1 029 (785) mm	645 (400) mm	1 029 (785) mm	1 545 (1 300) mm	1 745 (1 500) mm	2 245 (2 000) mm
Volume	3,43 m <sup>3</sup>	2,80 m <sup>3</sup>	5,50 m <sup>3</sup>	9,11 m <sup>3</sup>	10,51 m <sup>3</sup>	14,01 m <sup>3</sup>
Distance locking pin L4	1 885 mm	1 885 mm	1 885 mm	1 885 mm	1 885 mm	1 885 mm
Weight of container ±5%	525 kg	521 kg	638 kg	705 kg	751 kg	892 kg
Hmotnost celková max.	8 000 kg	8 000 kg	8 000 kg	8 000 kg	8 000 kg	8 000 kg

Basic technical data	D3-40 KV 4.x/135	D3-40 KV 3.x/207	D3-40 KV 6.x/207	D3-40 KV 9.x/207	D3-40 KV 11.x/207	D3-40 KV 14.2/207
Length A1 (A2)	3 970 (3 750) mm					
Width B1 (B2)	1 356 (1 200) mm	2 076 (1 920) mm	2 076 (1 920) mm	2 076 (1 920) mm	2 076 (1 920) mm	2 076 (1 920) mm
Height C1 (C2)	1 029 (785) mm	645 (400) mm	1 029 (785) mm	1 545 (1 300) mm	1 745 (1 500) mm	2 245 (2 000) mm
Volume	3,53 m <sup>3</sup>	2,88 m <sup>3</sup>	5,65 m <sup>3</sup>	9,36 m <sup>3</sup>	10,80 m <sup>3</sup>	14,40 m <sup>3</sup>
Distance locking pin L4	1 948 mm	1 948 mm	1 948 mm	1 948 mm	1 948 mm	1 948 mm
Weight of container ±5%	553 kg	559 kg	684 kg	752 kg	799 kg	922 kg
Total weight	8 000 kg	8 000 kg	8 000 kg	8 000 kg	8 000 kg	8 000 kg

Basic technical data	D3-42 KV 3.x/207	D3-42 KV 6.x/207	D3-42 KV 10.x/207	D3-42 KV 12.x/207	D3-42 KV 15.2/207
Length A1 (A2)	4 220 (4 000) mm				
Width B1 (B2)	2 076 (1 920) mm	2 076 (1 920) mm	2 076 (1 920) mm	2 076 (1 920) mm	2 076 (1 920) mm
Height C1 (C2)	645 (400) mm	1 029 (785) mm	1 545 (1 300) mm	1 745 (1 500) mm	2 245 (2 000) mm
Volume	3,07 m <sup>3</sup>	6,02 m <sup>3</sup>	9,98 m <sup>3</sup>	11,52 m <sup>3</sup>	15,36 m <sup>3</sup>
Distance locking pin L4	2 010 mm	2 010 mm	2 010 mm	2 010 mm	2 010 mm
Weight of container ±5%	552 kg	676 kg	743 kg	793 kg	974 kg
Total weight	8 000 kg	8 000 kg	8 000 kg	8 000 kg	8 000 kg

Basic technical data	D3-45 KV 3.x/207	D3-45 KV 6.x/207	D3-45 KV 11.x/207	D3-45 KV 12.x/207	D3-45 KV 16.2/207
Length A1 (A2)	4 470 (4 250) mm				
Width B1 (B2)	2 076 (1 920) mm	2 076 (1 920) mm	2 076 (1 920) mm	2 076 (1 920) mm	2 076 (1 920) mm
Height C1 (C2)	645 (400) mm	1 029 (785) mm	1 545 (1 300) mm	1 745 (1 500) mm	2 245 (2 000) mm
Volume	3,26 m <sup>3</sup>	6,40 m <sup>3</sup>	10,60 m <sup>3</sup>	12,24 m <sup>3</sup>	16,32 m <sup>3</sup>
Distance locking pin L4	2 073 mm	2 073 mm	2 073 mm	2 073 mm	2 073 mm
Weight of container ±5%	573 kg	702 kg	770 kg	822 kg	1 007 kg
Total weight	8 000 kg	8 000 kg	8 000 kg	8 000 kg	8 000 kg

Basic technical data	D3-47 KV 3.x/207	D3-47 KV 7.x/207	D3-47 KV 11.x/207	D3-47 KV 13.x/207	D3-47 KV 17.2/207
Length A1 (A2)	4 720 (4 500) mm				
Width B1 (B2)	2 076 (1 920) mm	2 076 (1 920) mm	2 076 (1 920) mm	2 076 (1 920) mm	2 076 (1 920) mm
Height C1 (C2)	645 (400) mm	1 029 (785) mm	1 545 (1 300) mm	1 745 (1 500) mm	2 245 (2 000) mm
Volume	3,45 m <sup>3</sup>	6,78 m <sup>3</sup>	11,23 m <sup>3</sup>	12,96 m <sup>3</sup>	17,28 m <sup>3</sup>
Distance locking pin L4	2 135 mm	2 135 mm	2 135 mm	2 135 mm	2 135 mm
Weight of container ±5%	604 kg	742 kg	833 kg	888 kg	1 082 kg
Total weight	8 000 kg	8 000 kg	8 000 kg	8 000 kg	8 000 kg

Basic technical data	D3-50 KV 4.x/207	D3-50 KV 7.x/207	D3-50 KV 12.x/207	D3-50 KV 14.x/207	D3-50 KV 18.2/207
Length A1 (A2)	4 970 (4 750) mm				
Width B1 (B2)	2 076 (1 920) mm	2 076 (1 920) mm	2 076 (1 920) mm	2 076 (1 920) mm	2 076 (1 920) mm
Height C1 (C2)	645 (400) mm	1 029 (785) mm	1 545 (1 300) mm	1 745 (1 500) mm	2 245 (2 000) mm
Volume	3,64 m <sup>3</sup>	7,15 m <sup>3</sup>	11,85 m <sup>3</sup>	13,68 m <sup>3</sup>	18,24 m <sup>3</sup>
Distance locking pin L4	2 260 mm	2 260 mm	2 260 mm	2 260 mm	2 260 mm
Weight of container ±5%	626 kg	768 kg	860 kg	916 kg	1 097 kg
Total weight	8 000 kg	8 000 kg	8 000 kg	8 000 kg	8 000 kg

Basic technical data	D3-52 KV 4.x/207	D3-52 KV 8.x/207	D3-52 KV 12.x/207	D3-52 KV 14.x/207	D3-52 KV 19.2/207
Length A1 (A2)	5 220 (5 000) mm				
Width B1 (B2)	2 076 (1 920) mm	2 076 (1 920) mm	2 076 (1 920) mm	2 076 (1 920) mm	2 076 (1 920) mm
Height C1 (C2)	645 (400) mm	1 029 (785) mm	1 545 (1 300) mm	1 745 (1 500) mm	2 245 (2 000) mm
Volume	3,84 m <sup>3</sup>	7,53 m <sup>3</sup>	12,48 m <sup>3</sup>	14,40 m <sup>3</sup>	19,20 m <sup>3</sup>
Distance locking pin L4	2 385 mm	2 385 mm	2 385 mm	2 385 mm	2 385 mm
Weight of container ±5%	647 kg	795 kg	887 kg	945 kg	1 149 kg
Total weight	8 000 kg	8 000 kg	8 000 kg	8 000 kg	8 000 kg

Hook lift type: **Z**

The manufacturer reserves the right for technical modifications.