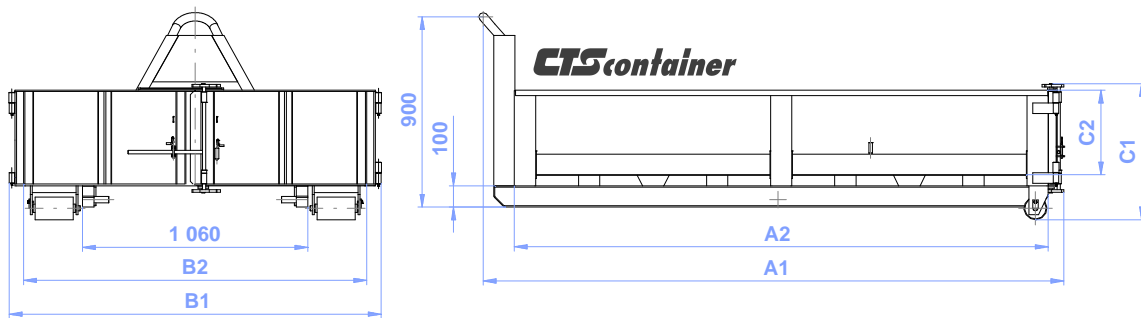


Type:	D3-25 KV	x.	x	/175
	D3-27 KV	x.	x	/175
	D3-30 KV	x.	x	/175
	D3-32 KV	x.	x	/175
	D3-35 KV	x.	x	/175
	D3-37 KV	x.	x	/175
	D3-40 KV	x.	x	/175
	D3-45 KV	x.	x	/175
	D3-47 KV	x.	x	/175
	D3-50 KV	x.	x	/175
	D3-52 KV	x.	x	/175

width
rear panel
volume



Designed for handling and transport of soil, waste, constructional and loose material on truck or trailer mounted hook lifts.

It is manufactured of square sheet steels of 3 mm thickness (sides and floor up to 1 m of the container height) and 2 mm resp. (sides above 1 m) in various volumes. Robust container beams are made of "I 100" profile.

Rear panel designation as follows (the last digit in container type):

- **x1** one-piece, flap, opened around the upper horizontal hinges, or
- **x2** double-piece, opened around the vertical hinges to sides, with lock in the open position.

Accessories and adjustments for extra charge: (has to be placed in order)

- cover or tarpaulin for container
- hooks for fastening the net or tarpaulin
- the colour design of surface treatment can be adopted to customer's requirement
- other, as per agreement
- safety lock of container loop

Basic technical data	D3-25 KV 2.x/175	D3-25 KV 3.x/175	D3-25 KV 4.x/175	D3-25 KV 5.x/175	D3-25 KV 6.2/175
Length A1 (A2)	2 470 (2 250) mm				
Width B1 (B2)	1750 (1 595) mm	1 750 (1 595) mm	1 750 (1 595) mm	1 750 (1 595) mm	1 750 (1 595) mm
Height C1 (C2)	645 (400) mm	1 029 (785) mm	1 245 (1 000) mm	1 545 (1 300) mm	1 745 (1 500) mm
Volume	1,4 m ³	2,8 m ³	3,6 m ³	4,7 m ³	5,4 m ³
Distance locking pin L4	1 573 mm	1 573 mm	1 573 mm	1 573 mm	1 573 mm
Weight of container ±5%	308 kg	354 kg	390 kg	444 kg	467 kg
Total weight	3 000 kg	3 000 kg	3 000 kg	3 000 kg	3 000 kg

Basic technical data	D3-27 KV 2.x/175	D3-27 KV 3.x/175	D3-27 KV 4.x/175	D3-27 KV 5.x/175	D3-27 KV 6.2/175
Length A1 (A2)	2 725 (2 500) mm				
Width B1 (B2)	1750 (1 595) mm	1 750 (1 595) mm	1 750 (1 595) mm	1 750 (1 595) mm	1 750 (1 595) mm
Height C1 (C2)	645 (400) mm	1 029 (785) mm	1 245 (1 000) mm	1 545 (1 300) mm	1 745 (1 500) mm
Volume	1,6 m ³	3,14 m ³	4 m ³	5,2 m ³	6 m ³
Distance locking pin L4	1 635 mm	1 635 mm	1 635 mm	1 635 mm	1 635 mm
Weight of container ±5%	340 kg	390 kg	430 kg	490 kg	515 kg
Total weight	3 000 kg	3 000 kg	3 000 kg	3 000 kg	3 000 kg

Basic technical data	D3-30 KV 2.x/175	D3-30 KV 3.x/175	D3-30 KV 4.x/175	D3-30 KV 6.x/175	D3-30 KV 7.2/175
Length A1 (A2)	2 970 (2 750) mm				
Width B1 (B2)	1 750 (1 595) mm	1 750 (1 595) mm	1 750 (1 595) mm	1 750 (1 595) mm	1 750 (1 595) mm
Height C1 (C2)	645 (400) mm	1 029 (785) mm	1 245 (1 000) mm	1 545 (1 300) mm	1 745 (1 500) mm
Volume	1,8 m ³	3,4 m ³	4,4 m ³	5,7 m ³	6,6 m ³
Distance locking pin L4	1 698 mm	1 698 mm	1 698 mm	1 698 mm	1 698 mm
Weight of container ±5%	371 kg	425 kg	469 kg	534 kg	561 kg
Total weight	3 000 kg	3 000 kg	3 000 kg	3 000 kg	3 000 kg

Basic technical data	D3-32 KV 2.x/175	D3-32 KV 4.x/175	D3-32 KV 5.x/175	D3-32 KV 6.x/175	D3-32 KV 7.2/175
Length A1 (A2)	3 220 (3 000) mm				
Width B1 (B2)	1 750 (1 595) mm	1 750 (1 595) mm	1 750 (1 595) mm	1 750 (1 595) mm	1 750 (1 595) mm
Height C1 (C2)	645 (400) mm	1 029 (785) mm	1 245 (1 000) mm	1 545 (1 300) mm	1 745 (1 500) mm
Volume	1,9 m ³	3,8 m ³	4,8 m ³	6,2 m ³	7,2 m ³
Distance locking pin L4	1 760 mm	1 760 mm	1 760 mm	1 760 mm	1 760 mm
Weight of container ±5%	402 kg	461 kg	508 kg	579 kg	609 kg
Total weight	3 000 kg	3 000 kg	3 000 kg	3 000 kg	3 000 kg

Basic technical data	D3-35 KV 2.x/175	D3-35 KV 4.x/175	D3-35 KV 5.x/175	D3-35 KV 7.x/175	D3-35 KV 8.2/175
Length A1 (A2)	3 470 (3 250) mm				
Width B1 (B2)	1 750 (1 595) mm	1 750 (1 595) mm	1 750 (1 595) mm	1 750 (1 595) mm	1 750 (1 595) mm
Height C1 (C2)	645 (400) mm	1 029 (785) mm	1 245 (1 000) mm	1 545 (1 300) mm	1 745 (1 500) mm
Volume	2,05 m ³	4,02 m ³	5,12 m ³	6,66 m ³	7,88 m ³
Distance locking pin L4	1 823 mm	1 823 mm	1 823 mm	1 823 mm	1 823 mm
Weight of container ±5%	433 kg	496 kg	548 kg	624 kg	656 kg
Total weight	3 000 kg	3 000 kg	3 000 kg	3 000 kg	3 000 kg

Basic technical data	D3-37 KV 2.x/175	D3-37 KV 4.x/175	D3-37 KV 6.x/175	D3-37 KV 7.x/175	D3-37 KV 8.2/175
Length A1 (A2)	3 720 (3 500) mm				
Width B1 (B2)	1 750 (1 595) mm	1 750 (1 595) mm	1 750 (1 595) mm	1 750 (1 595) mm	1 750 (1 595) mm
Height C1 (C2)	645 (400) mm	1 029 (785) mm	1 245 (1 000) mm	1 545 (1 300) mm	1 745 (1 500) mm
Volume	2,2 m ³	4,4 m ³	5,6 m ³	7,3 m ³	8,4 m ³
Distance locking pin L4	1 885 mm	1 885 mm	1 885 mm	1 885 mm	1 885 mm
Weight of container ±5%	464 kg	532 kg	587 kg	669 kg	703 kg
Total weight	3 000 kg	3 000 kg	3 000 kg	3 000 kg	3 000 kg

Basic technical data	D3-40 KV 2.x/175	D3-40 KV 5.x/175	D3-40 KV 6.x/175	D3-40 KV 8.x/175	D3-40 KV 9.2/175
Length A1 (A2)	3 970 (3 750) mm				
Width B1 (B2)	1 750 (1 595) mm	1 750 (1 595) mm	1 750 (1 595) mm	1 750 (1 595) mm	1 750 (1 595) mm
Height C1 (C2)	645 (400) mm	1 029 (785) mm	1 245 (1 000) mm	1 545 (1 300) mm	1 745 (1 500) mm
Volume	2,4 m ³	4,7 m ³	6,0 m ³	7,8 m ³	9,0 m ³
Distance locking pin L4	1 948 mm	1 948 mm	1 948 mm	1 948 mm	1 948 mm
Weight of container ±5%	495 kg	568 kg	626 kg	714 kg	750 kg
Total weight	3 000 kg	3 000 kg	3 000 kg	3 000 kg	3 000 kg

Basic technical data	D3-42 KV 3.x/175	D3-42 KV 5.x/175	D3-42 KV 6.x/175	D3-42 KV 8.x/175	D3-42 KV 10.2/175
Length A1 (A2)	4 220 (4 000) mm				
Width B1 (B2)	1 750 (1 595) mm	1 750 (1 595) mm	1 750 (1 595) mm	1 750 (1 595) mm	1 750 (1 595) mm
Height C1 (C2)	645 (400) mm	1 029 (785) mm	1 245 (1 000) mm	1 545 (1 300) mm	1 745 (1 500) mm
Volume	2,6 m ³	5,0 m ³	6,4 m ³	8,3 m ³	9,8 m ³
Distance locking pin L4	2 010 mm	2 010 mm	2 010 mm	2 010 mm	2 010 mm
Weight of container ±5%	527 kg	604 kg	666 kg	758 kg	798 kg
Total weight	3 000 kg	3 000 kg	3 000 kg	3 000 kg	3 000 kg

Basic technical data	D3-45 KV 3.x/175	D3-45 KV 3.x/175	D3-45 KV 7.x/175	D3-45 KV 9.x/175	D3-45 KV 10.2/175
Length A1 (A2)	4 470 (4 250) mm				
Width B1 (B2)	1 750 (1 595) mm	1 750 (1 595) mm	1 750 (1 595) mm	1 750 (1 595) mm	1 750 (1 595) mm
Height C1 (C2)	645 (400) mm	1 029 (785) mm	1 245 (1 000) mm	1 545 (1 300) mm	1 745 (1 500) mm
Volume	2,7 m ³	5,3 m ³	6,8 m ³	8,8 m ³	10,2 m ³
Distance locking pin L4	2 073 mm	2 073 mm	2 073 mm	2 073 mm	2 073 mm
Weight of container ±5%	558 kg	640 kg	705 kg	804 kg	845 kg
Total weight	3 000 kg	3 000 kg	3 000 kg	3 000 kg	3 000 kg

Basic technical data	D3-47 KV 3.x/175	D3-47 KV 6.x/175	D3-47 KV 7.x/175	D3-47 KV 9.x/175	D3-47 KV 11.2/175
Length A1 (A2)	4 720 (4 500) mm				
Width B1 (B2)	1 750 (1 595) mm	1 750 (1 595) mm	1 750 (1 595) mm	1 750 (1 595) mm	1 750 (1 595) mm
Height C1 (C2)	645 (400) mm	1 029 (785) mm	1 245 (1 000) mm	1 545 (1 300) mm	1 745 (1 500) mm
Volume	2,9 m ³	5,6 m ³	7,2 m ³	9,3 m ³	10,8 m ³
Distance locking pin L4	2 135 mm	2 135 mm	2 135 mm	2 135 mm	2 135 mm
Weight of container ±5%	589 kg	676 kg	745 kg	849 kg	892 kg
Total weight	3 000 kg	3 000 kg	3 000 kg	3 000 kg	3 000 kg

Basic technical data	D3-50 KV 3.x/175	D3-50 KV 6.x/175	D3-50 KV 8.x/175	D3-50 KV 10.x/175	D3-50 KV 11.2/175
Length A1 (A2)	4 970 (4 750) mm				
Width B1 (B2)	1 750 (1 595) mm	1 750 (1 595) mm	1 750 (1 595) mm	1 750 (1 595) mm	1 750 (1 595) mm
Height C1 (C2)	645 (400) mm	1 029 (785) mm	1 245 (1 000) mm	1 545 (1 300) mm	1 745 (1 500) mm
Volume	3,0 m ³	5,9 m ³	7,6 m ³	9,8 m ³	11,4 m ³
Distance locking pin L4	2 260 mm	2 260 mm	2 260 mm	2 260 mm	2 260 mm
Weight of container ±5%	620 kg	711 kg	784 kg	894 kg	939 kg
Total weight	3 000 kg	3 000 kg	3 000 kg	3 000 kg	3 000 kg

Basic technical data	D3-52 KV 3.x/175	D3-52 KV 6.x/175	D3-52 KV 8.x/175	D3-52 KV 10.x/175	D3-52 KV 12.2/175
Length A1 (A2)	5 220 (5 000) mm				
Width B1 (B2)	1 750 (1 595) mm	1 750 (1 595) mm	1 750 (1 595) mm	1 750 (1 595) mm	1 750 (1 595) mm
Height C1 (C2)	645 (400) mm	1 029 (785) mm	1 245 (1 000) mm	1 545 (1 300) mm	1 745 (1 500) mm
Volume	3,2 m ³	6,3 m ³	8,0 m ³	10,4 m ³	12,0 m ³
Distance locking pin L4	2 385 mm	2 385 mm	2 385 mm	2 385 mm	2 385 mm
Weight of container ±5%	651 kg	747 kg	824 kg	939 kg	987 kg
Total weight	3 000 kg	3 000 kg	3 000 kg	3 000 kg	3 000 kg

Hook lift type: **Z**

The manufacturer reserves the right for technical modifications.